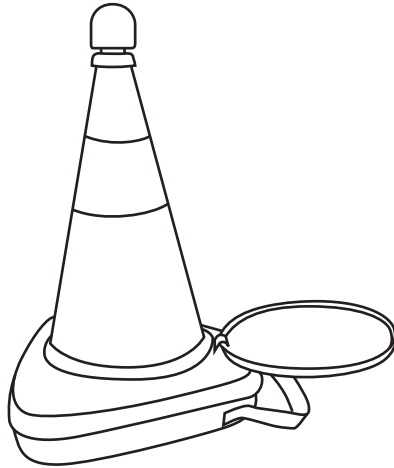


Roadside Assistance Emergency Car Kit with a Collapsible LED Safety Traffic Cone



Introduction:

You never know where the road may lead or predict what may happen, so it's important to not be caught unprepared. The SecurityMan roadside assistance emergency car kit features a durable zipper carrying case with a collapsible LED safety traffic cone to help keep you safe and prepared. The COLLAPSECONEKIT is an economical choice that gives you all the basics that you will need out on the road such as jumper cables, crescent wrench, a rain poncho and much more.

Features:

- Basic emergency road side kit
- Collapsible cone (up to 22.5" high) with reflective material and LED light which can be seen up to 1 mile away
- 2.83 cubic feet in the hard shell case with room to add more accessories
- 8ft 12 gauge jumper cables to help get your car working again
- Additional accessories such as crescent wrench, rain poncho, gloves, hand crank flashlight, reflective vest, & flathead screw driver

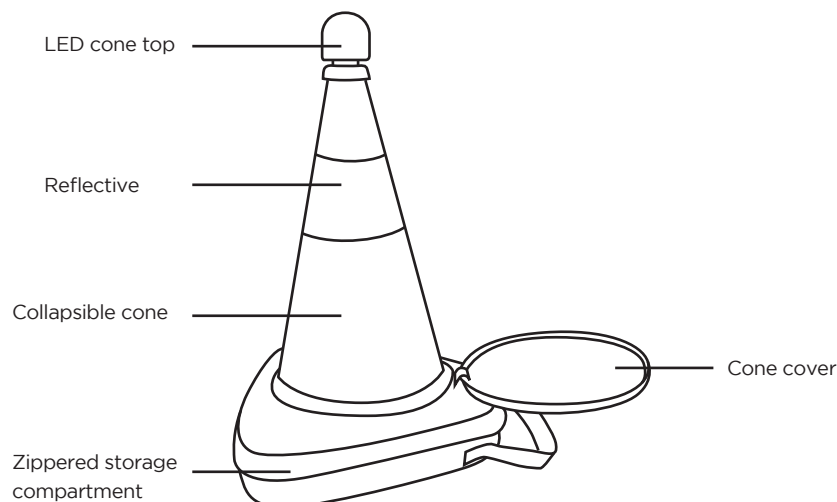
Contents:

- | | |
|--------------------------------------|-------------------------------------|
| • Collapsible cone with storage case | • Flathead screwdriver |
| • Emergency LED light | • Crescent wrench |
| • Jumper cable (8ft, 12gauge) | • Rain poncho (one time use) |
| • Pair of Gloves | • Flashlight (hand crank LED light) |
| • Safety vest (XXL) | • 2x AAA batteries |

Specifications:

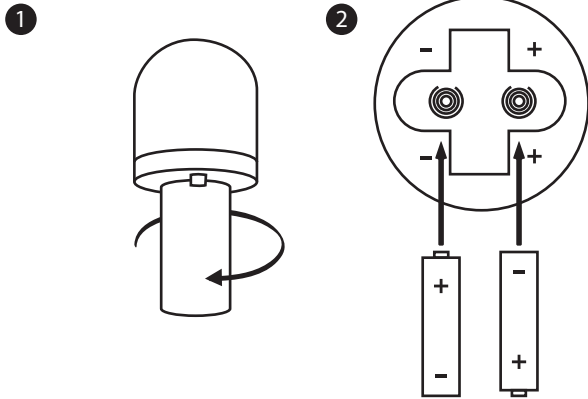
- | | | |
|--|---|--|
| • Storage dim: 12.6" x 11.4" x 3.5" inches | • Flashlight backup battery: Yes (3pcs lithium LR1130, up to 6 hours) | • Reflective vest material: Neon green mesh fabric |
| • Storage volume: 2.83ft ³ | • Flashlight brightness: 120 Lumen | • Rain poncho material: PE Plastic |
| • Cone height: 16.5" inches | • Flashlight material: Plastic | • Rain poncho dim: 49.2" x 29.5" inches |
| • Cone overall stance: 22.5" high (include base, cone, LED) | • Flashlight dim: 3.9" x 2.4" x 1.2" inches | • Screwdriver: 7.1" Flathead |
| • Storage material: EVA+PP | • Jumper cable: 12 Gauge | • Screwdriver material: Steel, plastic |
| • LED brightness: 60 Lumen | • Jumper cable length: 8ft | • Crescent wrench length: 7.9" inches |
| • LED light: Yes (flash 16Hr, slow flash 24Hr, solid 8Hr) | • Jumper clamp: D12 | • Crescent wrench size: 0 - 0.94" inch |
| • LED light power: AAA battery (battery included) | • Jumper cable material: PVC insulator + CCA + copper | • Crescent wrench material: Steel, plastic |
| • Flashlight LED: 3 | • Reflective vest size: XXL | • Glove: One size fits all |
| • Flashlight wattage: 3W | | • Glove material: PVC & cotton |
| • Flashlight power: hand crank (20 times: 2min of lights, 50 times: 6min of lights) | | • Weight: 3.75lbs (net)/ 4.50lbs (gross) |

Product basics



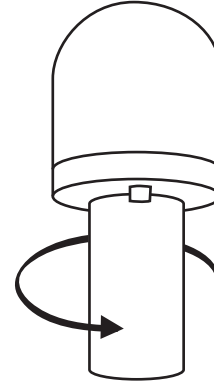
LED Cone Top Setup & Usage

1. Remove the battery cover from the LED cone top and insert the 2 included AAA batteries as indicated by the polarity symbols (+ and -). Make sure that the battery polarity facing you matches the polarity indicated on the rim of the battery housing.

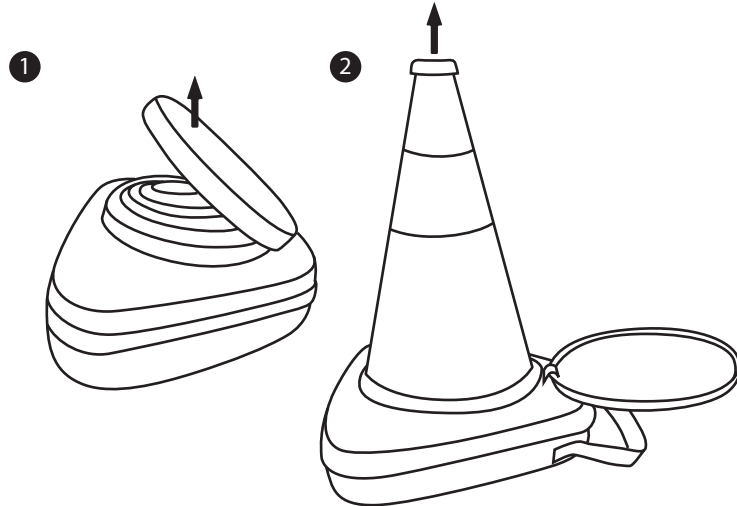


2. Align the side battery compartment polarities with the cap polarities and twist it back into place.

Note: The LED's should go on as soon as it makes contact. If they don't, simply take the battery compartment off again and switch the polarity placement.



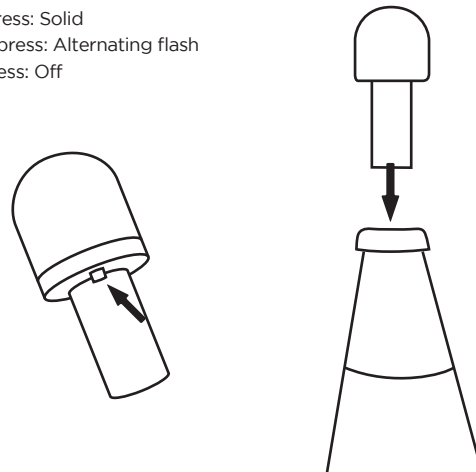
3. To use the LED cone top simply lift the cone cover and prop it upward by pulling it up.



4. Press the LED action button to turn it on and set the LED pattern then place it into the collapsible cone opening.

LED Patterns:

- First press: Fast flash
- Second Press: Slow flash
- Third press: Solid
- Fourth press: Alternating flash
- Fifth press: Off



Warranty:

SecurityMan warrants that this product will be free from defects in materials and workmanship for one year or otherwise specified on the product packaging. This limited warranty shall commence from the date of purchase. SecurityMan Products warranty is not transferable and is limited to the original purchaser. If the product is found to be defective then, as your sole remedy and as the manufacturer's only obligation, SecurityMan will repair or replace the product. This warranty shall not apply to products that have been subjected to abuse, misuse, abnormal electrical or environmental conditions, normal wear and tear or any condition other than what can be considered normal use.

Copyright Notice

This manual is furnished under license and may be used or copied only in accordance with the terms of such license. Except as permitted by such license, no part of this publication may be reproduced, stored in a retrieval system, or transmitted, in any form or any means, electronic, mechanical, recording, or otherwise, including translation to another language or format, without the prior written permission of SecurityMan. The content of this manual is furnished for informational use only, is subject to change without notice, and should not be construed as a commitment by SecurityMan. SecurityMan assumes no responsibility or liability for any errors or inaccuracies that may appear in this book. All other product names, trademarks and registered trademarks in this document are the properties of their respective holders.

SecurityMan®
4601 E. Airport Drive, Ontario, CA 91761, USA
Tel: 888-977-3777 or 909-230-6668 Fax: 909-230-6889
Email: info@securitymaninc.com Website: <http://www.securitymaninc.com>
Copyright 2019 by SecurityMan v2.2

If you encounter any difficulty in the operation of this product after reading the manual, please feel free to contact us. You can reach us by phone at 1-888-977-3777 from 8:30 AM to 5:30 PM Monday through Friday (Pacific Standard Time) or by email techsupport@securitymaninc.com. We will be happy to answer your questions and help you in any way we can.

For Customer Service: 888-977-3777