

DUMMYDOME™ User Manual

SOLAR POWERED OUTDOOR/INDOOR DUMMY DOME CAMERA WITH LED

Go green with SecurityMan DUMMYDOME™ solar dummy dome camera. The solar dome dummy camera can be used to reflect security present in your home and business. It features energy saving designed solar panel capable of charging rechargeable batteries and conserve the battery life of standard batteries (2x AA required, battery not included). Generally, 2x AA batteries could last several years. Product is equipped with a flashing red LED light which enhances the presence of camera and security. Professional designed to purposely deter unwanted intruders and solicitors with just a fraction of a cost of a real security camera. Mix in with real cameras for a more dynamic presence or use individually to increase security anywhere.



Specifications:

- Dummy dome camera with solar and LED
- Weather resistant
- ABS plastic material
- Wall mount/ceiling mount bracket
- Solar powered or battery powered at night (2*AA batteries, not included)
- Dimension: 9.0" (L) x 5.0" (W) x 5.0" (H)
- Weight (net/gross): 0.7 lb / 1.0 lb

Package contents:

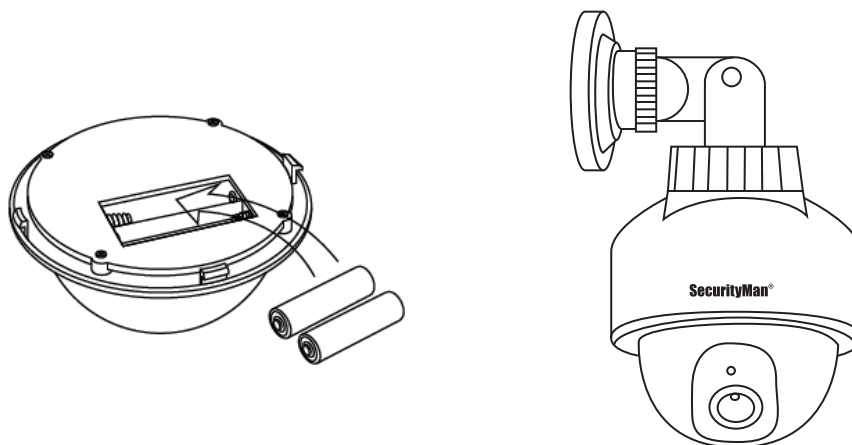
- Dummy dome camera with solar and LED
- Mounting bracket
- 2x Warning stickers
- Screws and accessories (Battery not included)

SecurityMan®

Easy Setup Guide:

****IMPORTANT: This solar powered dummy dome camera is ready to mount out of the box. For Night time LED flashing, please install 2x AA batteries (Not included, regular or rechargeable battery).**

1. Open the camera by twisting off the dome (counterclockwise) from the mounting base plate.
2. Place 2 AA size 1.5V batteries (not included) into the compartment as indicated by the polarity symbols (+ and -) marked inside.
3. The red LED light will automatically start to flash (last up to 1 year with regular batteries and up to 3 years with rechargeable batteries) as illustrated below.
4. Reattach the dome to the mounting base plate (match groves and turn clockwise).



5. Locate a suitable location and then mount the camera with the screws provided.
6. Reposition and adjust the camera angle as desired.

Notice:

SecurityMan shall not be responsible for any consequences of illegal conducts by users. It is recommended to consult with user's lawyer for any applicable local laws before use.

When budget is limited for real cameras, a recommendation (although not a legal advice) is to combine dummy cameras with real cameras. Integrating with real cameras, while being strategic, allows adequate surveillance coverage the notion of cameras all over the premise.

It is user's responsibility to check the flashing LED light periodically. Replace the batteries when the LED light does not flash.

Warranty:

SecurityMan warrants that this product will be free from defects in materials and workmanship for one year or otherwise specified on the product packaging. This limited warranty shall commence from the date of purchase. SecurityMan Products warranty is not transferable and is limited to the original purchaser. If the product is found to be defective then, as your sole remedy and as the manufacturer's only obligation, SecurityMan will repair or replace the product. This warranty shall not apply to products that have been subjected to abuse, misuse, abnormal electrical or environmental conditions, normal wear and tear or any condition other than what can be considered normal use.

Copyright Notice

This manual is furnished under license and may be used or copied only in accordance with the terms of such license. Except as permitted by such license, no part of this publication may be reproduced, stored in a retrieval system, or transmitted, in any form or any means, electronic, mechanical, recording, or otherwise, including translation to another language or format, without the prior written permission of SecurityMan. The content of this manual is furnished for informational use only, is subject to change without notice, and should not be construed as a commitment by SecurityMan. SecurityMan assumes no responsibility or liability for any errors or inaccuracies that may appear in this book. All other product names, trademarks and registered trademarks in this document are the properties of their respective holders.

SecurityMan®

4601 E. Airport Drive, Ontario, CA 91761, USA

Tel: 888-977-3777 or 909-230-6668 Fax: 909-230-6889

Email: info@securitymaninc.com Techsupport: techsupport@securitymaninc.com Website: <http://www.securitymaninc.com>

Copyright 2017 by SecurityMan v1.0

For Customer Service: 888-977-3777