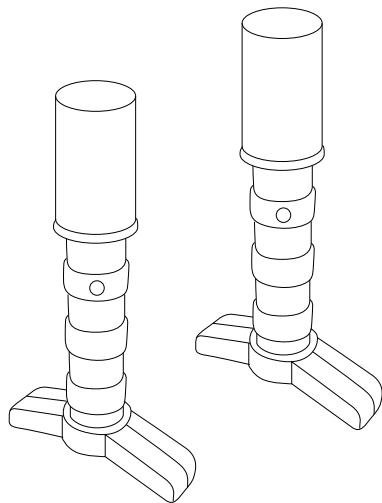


## LED Emergency Road Flare with Stand



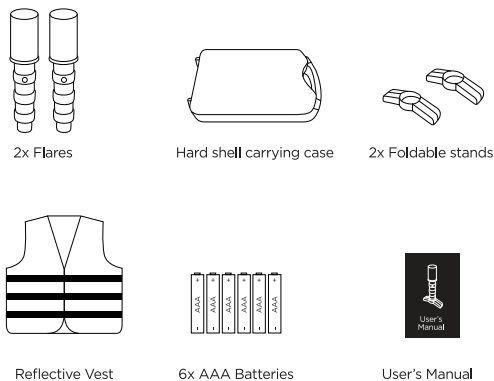
### Introduction

The SecurityMan LED emergency road flare kit includes two "Spark-Free", battery powered electronic roadside flares for a safer alternative to conventional incendiary flares. These roadside flares are unique in design and can be used as hand-held traffic control lights or as free-standing roadside warning flares to bring caution when needed. Each flare is equipped with 11 super bright Safety-Red LED's, 1 bright white flashlight LED, a magnet base and reflective tape on the barrel for maximum visibility.

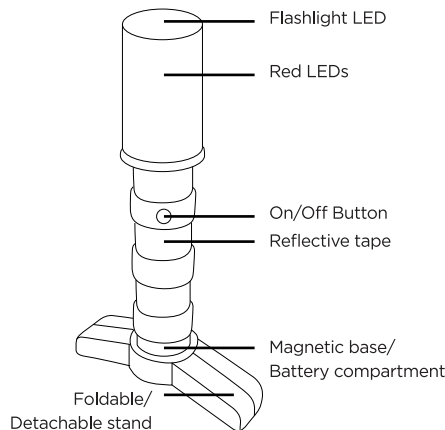
### Features

- 360 degrees of super bright LED's
- 3 different lighting patterns
- Superior visibility: LED arrays can be seen up to 1 mile
- Magnetic bottom attaches to any metal surface
- Outdoor weatherproof (IP65)
- Multipurpose road flare
- Detachable foldable base stands
- Reflective materials for maximum visibility
- Up to 15 hours of usage (flashing red light)

### Package Contents

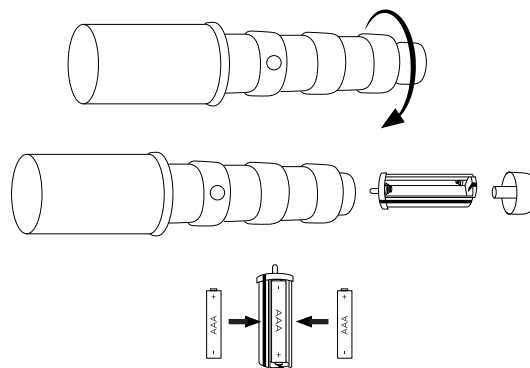


### Product Basics



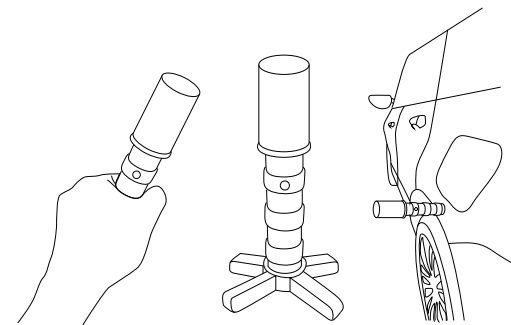
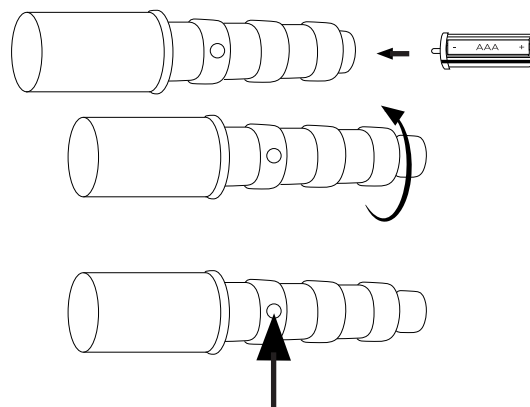
### Setup

1. Remove the battery cover by twisting the magnetic base counterclockwise. Take the battery holder out and insert 3 AAA batteries (included) as indicated by the polarity symbols (+ and -).



**IMPORTANT:** Battery could last up to 1 year stored inside the vehicle, however it is recommended to check every 6 months.

2. After placing the batteries into the battery holder, insert the holder back into the flare handle (nipple side first) and reattach the magnetic base. Once the battery cover is reattached, press the on/off button to cycle between the 3 different lighting patterns (Flashing, Solid, LED Flashlight).



The EFLARESTAND can be used as a hand-held traffic control lights or as free-standing roadside warning flares or placed on the vehicle via magnetic base.

### Specifications

LED	12pcs
LED mode	3 (Flashing red, solid red, & white flashlight)
On/Off switch	Yes
Magnetic base	Yes
Base stand	2pcs foldable/detachable
Reflective material	Yes
Storage case	Yes
LED duration	15hrs flashing red, 12hrs flashlight, 8hrs solid red
Power requirements	3 AAA Batteries
IP rating	IP65
Material	ABS, PC (Polycarbonate Plastic)
Reflective Vest	Yes (XL)
Flare dimensions (LxWxH)	7.25"x1.63"x1.63" (w/o stands)
Case dimensions (LxWxH)	8.66"x5.31"x2.17"
Weight (GW/NW)	2.0lbs / 1.30lbs

© Copyright 2018

This manual is furnished under license and may be used or copied only in accordance with the terms of such license. Except as permitted by such license, no part of this publication may be reproduced, stored in a retrieval system, or transmitted, in any form or any means, electronic, mechanical, recording, or otherwise, including translation to another language or format, without the prior written permission of SecurityMan. The content of this manual is furnished for informational use only, is subject to change without notice, and should not be construed as a commitment by SecurityMan. SecurityMan Inc assumes no responsibility or liability for any errors or inaccuracies that may appear in this book.

#### FCC Information

This device complies with part 15 of the FCC Rules. Operation is subject to the following two conditions:

- (1) This device may not cause harmful interference.
- (2) This device must accept any interference received, including interference that may cause undesired operation.

#### Warranty

SecurityMan Inc warrants that this product will be free from defects in title, materials and manufacturing workmanship for one year or otherwise specified on the product packaging. This limited warranty shall commence from the date of purchase. SecurityMan products warranty is not transferable and is limited to the original purchaser. If the product is found to be defective then, as your sole remedy and as the manufacturer's only obligation, SecurityMan will repair or replace the product. This warranty shall not apply to products that have been subjected to abuse, misuse, abnormal electrical or environmental conditions, normal wear and tear, or any condition other than what can be considered normal use.

*If you encounter any difficulty in the operation of this product after reading the manual, please feel free to contact us. You can reach us by phone at 1-888-977-3777 from 8:30 AM to 5:30 PM Monday through Friday (Pacific Standard Time) or by email [techsupport@securitymaninc.com](mailto:techsupport@securitymaninc.com). We will be happy to answer your questions and help you in any way we can.*