

Outdoor/Indoor Pan Control Color Dome-Camera Kit User Guide (PanDome)

SecurityMan®

Package Contents:

- Pan-able Dome Camera
- Pan Controller
- 100ft Cable
- Wall-mount Bracket
- Power Adapter
- Manual

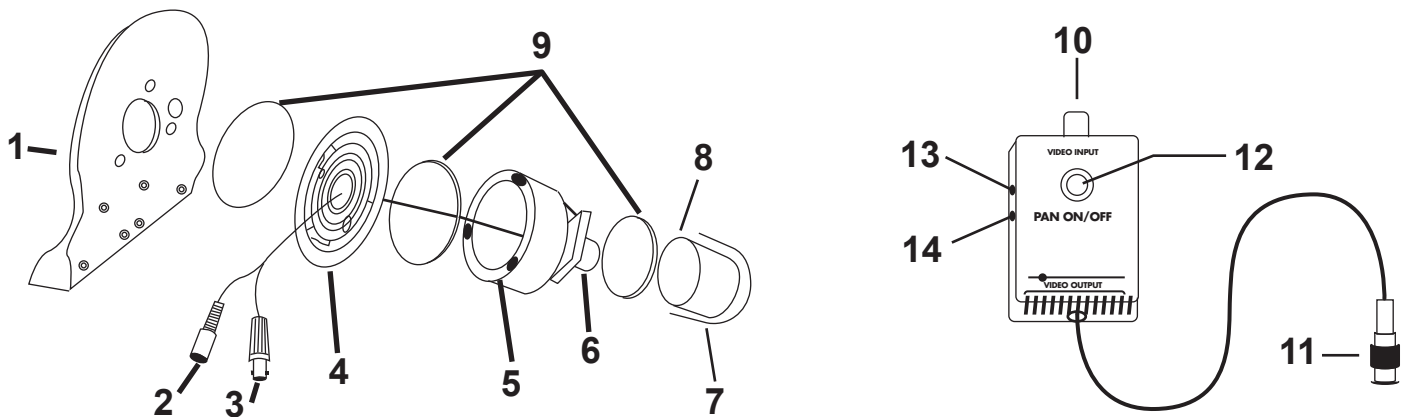
Features:

- Weather proof camera, good for both outdoor and indoor
- Pan control dome camera for wider monitoring coverage
 - up to 180 degree
- High resolution color CCD dome-camera
- Auto pan-scan or manual control left/right
- Manual setting for tilt angle and focus
- Direct video output to a monitor/TV or Recorder

Specifications:

Motor	Servo Motor	Sync System <input type="checkbox"/>	Internal Synchronization
Image Sensor	1/4" Sharp Color CCD	Video Output <input type="checkbox"/>	1 Vp-p, 75 ohm
TV System	NTSC/PAL (option)	Weatherproof <input type="checkbox"/>	IP53
Pixels	NTSC: 510 (H) x 492 (L) PAL: 500 (H) x 582 (L)	Power Consumption <input type="checkbox"/>	≤5W (Voltage: DC12V/400mA)
Scanning System	NTSC: 525 lines, 60 field/sec PAL: 625 lines, 50 field/sec	Operating Temperature <input type="checkbox"/>	-10°C-50°C (39.6°F-147.6°F)
Horizontal resolution	420 TV Lines	Operation Humidity <input type="checkbox"/>	RH 95% Max.
Min. Illumination	0.8 Lux/F1.2	Pan Rotation Speed <input type="checkbox"/>	5°/sec
S/N Ratio	>48dB	Pan Rotation Angle <input type="checkbox"/>	0~120 degree
Gamma Characteristic	0.45	Viewing Angle Coverage <input type="checkbox"/>	180 degree
Electronic Shutter Time	Auto, NTSC: 1/60~1/100,000sec Auto, PAL: 1/50~1/100,000sec	Pan Control Buttons <input type="checkbox"/>	Auto Pan On/Off, Right, Left
		Weight (Net/Gross) <input type="checkbox"/>	2 Kgs/2.5 Kgs
		Dome Dimension <input type="checkbox"/>	4.8" x 4.5" (120x115mm)

Hardware Basic:



- | | | |
|--|--|--|
| 1. Plastic wall mounting bracket | 5. Middle housing with rotation stand | 10. Camera Input (100ft cable connection) |
| 2. Power supply connector | 6. Camera module | 11. Video output (to monitor or recorder) |
| 3. Video cable with BNC connector | 7. Transparent outer cover | 12. Auto Pan Control Switch |
| 4. Plastic mounting pedestal | 8. Black inner cover | 13. Button for leftward rotation |
| | 9. Water-resistant "O" ring seals | 14. Button for rightward rotation |

Copyright 2006 by SecurityMan v1.0

This manual is furnished under license and may be used or copied only in accordance with the terms of such license. Except as permitted by such license, no part of this publication may be reproduced, stored in a retrieval system, or transmitted, in any form or any means, electronic, mechanical, recording, or otherwise, including translation to another language or format, without the prior written permission of SecurityMan. The content of this manual is furnished for informational use only, is subject to change without notice, and should not be construed as a commitment by SecurityMan. SecurityMan assumes no responsibility or liability for any errors or inaccuracies that may appear in this book. All other product names, trademarks and registered trademarks in this document are the properties of their respective holders.

FCC Information

Notes on FCC's "Consistent Statement of Information" This product meet the requirements specified in Part 15 of FCC Regulation. Operation rests with the following two conditions:

(1) The equipment should not cause any harmful interference.

(2) The equipment must receive and process any interference, including any possible interference caused by operation mistakes.

After testing the product, we confirm that the camera complies with the provision for class C digital equipment in the 15th part in FCC regulations; and the receiver complies with the limitations for class B digital equipment in Part 15 of FCC regulation. The product generates, applies and emits radio waves. It might cause harmful interferences to wireless communication if not be installed and used following the description of the manual.

The product may cause interference in residential area, and the customer should take remedies to eliminate the interference on their own costs.

If the product causes any harmful interference to wireless equipment or disturbs the receiving of TV signals (it can be identified by turning on and off the product), you can solve the trouble by following methods:

- Readjust the product or put it in another place.
- Extend the distance between the equipment interfered and the product.
- Refer to dealers or experienced radio electrician for help.

Warranty

SecurityMan warrants that this product will be free from defects in material and workmanship for a period of time specified on the product on the product package. This limited warranty shall commence from the date of purchase. SecurityMan Products warranty is not transferable and is limited to the original purchaser. If the product is found to be defective then, as your sole remedy and as the manufacturer's only obligation, SecurityMan will repair or replace the product. This warranty shall not apply to products that have been subjected to abuse, misuse, abnormal electrical or environmental conditions, normal wear and tear or any condition other than what can be considered normal use.

Limitation of Liability

The liability of SecurityMan arising from this warranty and sale shall be limited to a refund of the purchase price. In no event shall SecurityMan be liable for costs of procurement of substitute products or services, or for any lost profits, or for any consequential, incidental, direct or indirect damages, however caused and on any theory of liability, arising from this warranty and sale. These limitations shall apply not with standing any failure of essential purpose of any limited remedy.

PanDome Installation:

1. Turn the plastic mounting pedestal clockwise to loosen, thread the power cable connector & video cable with BNC connector through the hole of the lower part of plastic wall mounting bracket.
2. Place the cables into any two slots of the upper part of the plastic wall mounting bracket as shown in Fig.1.
3. Use three Ø3.5_16mm screws to hold the plastic mounting pedestal on the plastic wall mounting bracket as shown in Fig.2 (please don't forget to put the water-resistant "O" ring seal on the base of the plastic mounting pedestal). Pull and adjust the cables to suitable length. Then use six Ø3.5_8mm screws to hold the upper part & lower part of the plastic wall mounting bracket together.

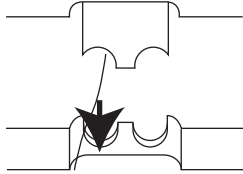


Fig 1

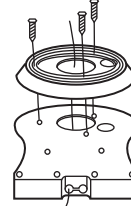


Fig 2

4. Align the three fixings on the middle housing of the camera with the three slots on the plastic mounting pedestal as shown in Fig.3 and turn it counter-clockwise to secure.
5. Use two Ø3.5_25mm screws to install and secure the pan camera to a desired location as shown in Fig.4.

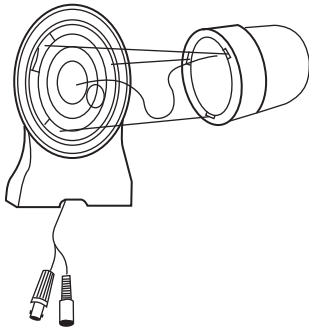


Fig 3

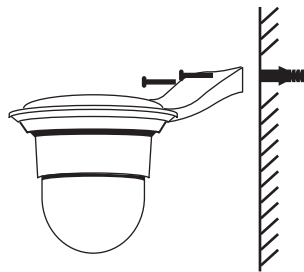


Fig 4

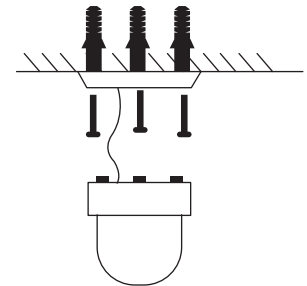


Fig 5

Attention:

To install the camera on the ceiling, do not install the plastic wall mounting bracket. Use the three Ø 3.5_16mm screws to secure the plastic mounting pedestal to the ceiling, as shown in (Fig.5).

Operation

Connect the camera to the camera input on the pan controller. Then connect the video output from the pan controller to a monitor input source. Finally, connect the power adaptor to the camera power connector to operate.

1. Auto Scanning and Manual Adjusting

To auto scan press the "Auto Pan Control Switch"; the camera will start to auto scan, press again to shift the camera to manual adjusting mode.

2. Adjusting Pan-Rotation Angle.

When the camera is in the state of manual adjusting mode, adjust the pan rotation angle by pressing and holding down the leftward or rightward rotation buttons.

During auto scan mode the camera will scan for 4 seconds and automatically pause for 8 seconds.

Adjustment of camera focus & tilt angle

Before making adjustment ensure auto scan mode is turned off. Then remove the transparent outer cover and black inner cover by turning counter-clockwise while holding the main casing. Switch on the power and then manually adjust the focus and tilt angle.

