

SM-2100

Dummy Outdoor/Indoor Speed Dome Camera w/LED

SecurityMan dummy camera SM-2100 is designed as a professional security camera for deterring unwanted intruders by just a fraction of the cost of a real camera. It comes with a flashing red LED light which enhances the presence of the camera. Multiple dummy cameras can be used to mix in with real cameras or individually to increase security presence anywhere.



Specifications:

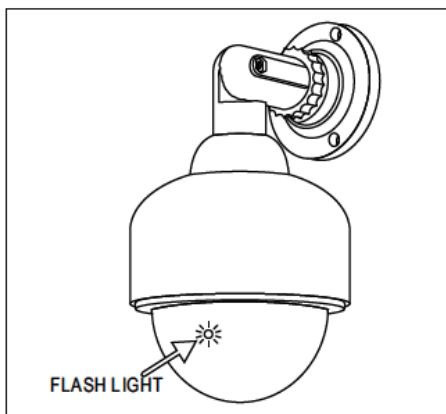
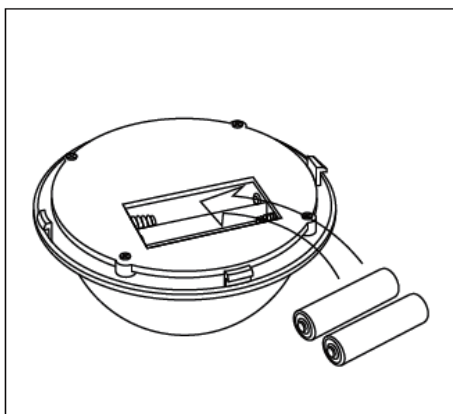
- Dummy speed dome camera type with flashing LED
- Weather resistant
- Plastic material
- Wall mount/ceiling mount bracket
- Powered by 2*AA batteries (not included)
- Dimension: 24(H) x 12.8 (W) cm (9.5 x 5 inches)
- Weight (net/gross): 0.6 lbs / 0.86 lbs

Package contents:

- Dummy camera, bracket and screws, two security signs (stickers), and manual

Easy Setup Guide:

1. Open the camera by twisting off the dome (counterclockwise) from the mounting base plate.
2. Place 2 AA size 1.5V batteries (not included) into the compartment as indicated by the polarity symbols (+ and -) marked inside.
3. The red LED light will automatically start to flash (batteries can last up to one year.) as illustrated below.
4. Reattach the dome to the mounting base plate (match grooves and turn clockwise).



5. Locate a suitable location and then mount the camera with the screws provided.
6. Reposition and adjust the camera angle as desired.

Notice:

SecurityMan shall not be responsible for any consequences of illegal conducts by users. It is recommended to consult with user's lawyer for any applicable local laws before use.

When budget is limited for real cameras, a recommendation (although not a legal advice) is to combine dummy cameras with real cameras. Integrating with real cameras, while being strategic, allows adequate surveillance coverage the notion of cameras all over the premise.

It is user's responsibility to check the flashing LED light periodically. Replace the batteries when the LED light does not flash.

Warranty:

SecurityMan warrants that this product will be free from defects in materials and workmanship for one year or otherwise specified on the product packaging. This limited warranty shall commence from the date of purchase. SecurityMan Products warranty is not transferable and is limited to the original purchaser. If the product is found to be defective then, as your sole remedy and as the manufacturer's only obligation, SecurityMan will repair or replace the product. This warranty shall not apply to products that have been subjected to abuse, misuse, abnormal electrical or environmental conditions, normal wear and tear or any condition other than what can be considered normal use.

Copyright Notice

This manual is furnished under license and may be used or copied only in accordance with the terms of such license. Except as permitted by such license, no part of this publication may be reproduced, stored in a retrieval system, or transmitted, in any form or any means, electronic, mechanical, recording, or otherwise, including translation to another language or format, without the prior written permission of SecurityMan. The content of this manual is furnished for informational use only, is subject to change without notice, and should not be construed as a commitment by SecurityMan. SecurityMan assumes no responsibility or liability for any errors or inaccuracies that may appear in this book. All other product names, trademarks and registered trademarks in this document are the properties of their respective holders.

SecurityMan®

4601 E. Airport Drive, Ontario, CA 91761, USA

Tel: 888-977-3777 or 909-230-6668 Fax: 909-230-6889

Email: info@securitymaninc.com Website: <http://www.securitymaninc.com>

Copyright 2011 by SecurityMan v10.1

For Customer Service: 888-977-3777