

**SM-400MC User's Manual**  
**Outdoor/Indoor Wired Dome Camera**  
**with Night Vision**

## © Copyright 2013

This manual is furnished under license and may be used or copied only in accordance with the terms of such license. Except as permitted by such license, no part of this publication may be reproduced, stored in a retrieval system, or transmitted, in any form or any means, electronic, mechanical, recording, or otherwise, including translation to another language or format, without the prior written permission of SecurityMan. The content of this manual is furnished for informational use only, is subject to change without notice, and should not be construed as a commitment by SecurityMan. SecurityMan Inc assumes no responsibility or liability for any errors or inaccuracies that may appear in this book.

## FCC Information

This device complies with part 15 of the FCC Rules. Operation is subject to the following two conditions:

- (1) This device should not cause harmful interference.
- (2) This device must accept any interference received, including interference that may cause undesired operation.

## Warranty

SecurityMan Inc warrants that this product will be free from defects in title, materials and manufacturing workmanship for one year or otherwise specified on the product packaging. This limited warranty shall commence from the date of purchase. SecurityMan products warranty is not transferable and is limited to the original purchaser. If the product is found to be defective then, as your sole remedy and as the manufacturer's only obligation, SecurityMan will repair or replace the product. This warranty shall not apply to products that have been subjected to abuse, misuse, abnormal electrical or environmental conditions, normal wear and tear, or any condition other than what can be considered normal use.

## **Warranty Disclaimers**

SecurityMan Inc, makes no other warranties, express, implied or otherwise, regarding this product, and specifically disclaims any warranty for merchantability or fitness for a particular purpose. The exclusion of implied warranties is not permitted in some states and the exclusions specified herein may not apply to you. This warranty provides you with specific legal rights. There may be other rights that you have which vary from state to state.

## **Limitation of Liability**

The liability of SecurityMan Inc, arising from this warranty and sale shall be limited to a refund of the purchase price. In no event shall SecurityMan be liable for costs of procurement of substitute products or services, or for any lost profits, or for any consequential, incidental, direct or indirect damages, however caused and on any theory of liability, arising from this warranty and sale. These limitations shall apply not withstanding any failure of essential purpose of any limited remedy.

**For Tech Support Call: 888-977-3777**

### **SecurityMan**

4601 E. Airport Drive

Ontario, CA, 91761, USA

Tel: 909-230-6668

Fax: 909-230-6889

Email: [info@securitymaninc.com](mailto:info@securitymaninc.com)

Website: [www.securitymaninc.com](http://www.securitymaninc.com)

Copyright 2013 by SecurityMan v1.0

## Table of Contents

<b>Introduction</b>	1
<b>Package Contents</b>	1
<b>Features</b>	2
<b>Camera Installation</b>	2
<b>Wiring Setup</b>	4
<b>Night Vision</b>	5
<b>Specifications</b>	6

## Introduction

Thank you for purchasing the **SM-400MC** wired camera kit. The SecurityMan **SM-400MC** is an outdoor/indoor dome color camera with night vision. It is designed as a professional security camera for deterring unwanted intruders. Its robust stylistic design makes this a weather-proof camera, night vision up to 35ft of distance in total darkness providing your home or business with the ultimate protection. Best of all, this camera can be mixed in with the SecurityMan SM-2100 dummy camera to increase security presence anywhere with just a fraction of the cost.

## Package Contents



1 x SM-400MC



1 x AC Adapter  
(DC 12V/500mA)



1 x 100ft BNC VP  
(video/power) cable



3 x Dry Wall Screws



2 x Warning stickers



User's Manual

## Features

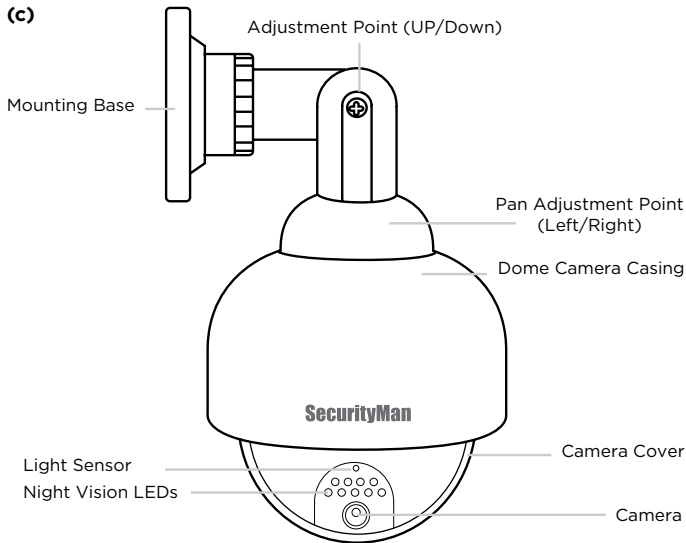
- Do-it-yourself (D.I.Y.) easy to setup wired camera kit
- Robust, weather-proof color dome camera, good for both outdoor and indoor
- Conveys strong security presence due to its stylistic dome design
- Built-in IR LEDs for night vision up to 35ft (B/W)
- Ceiling or wall mountable
- Adjustable camera body

## Camera Installation



1. Choose whether to mount the camera on the ceiling shown in figure (a) or wall-mount shown in figure (b)
2. Secure the mounting bracket with the 3 screws provided.

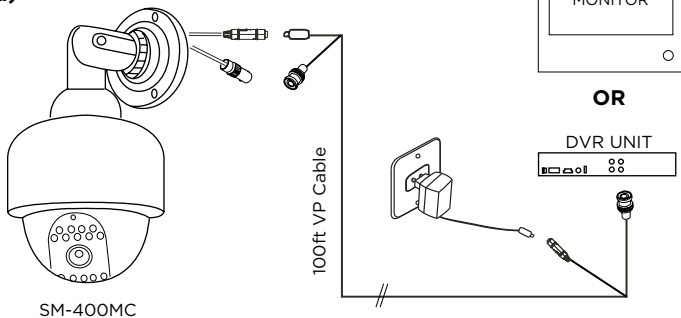
(c)



3. Adjust the cameras vertical angle by loosening the Adjustment Point screw for Up/Down rotation as shown in figure (c).
4. Finally, adjust the horizontal angle or Pan Adjustment Point by turning the dome Left or Right, see figure (c).

## Wiring Setup

(d)

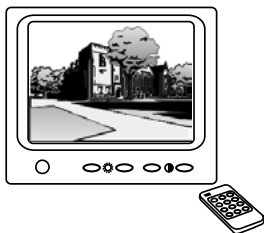


1. Power connection: connect one end of the 100ft VP (video/power) receptacle to the camera's power input socket, connect the A/C adapter (12VDC, 500mA) to the other end of the 100ft VP cable. Then connect the power adapter to an electrical power outlet as illustrated in figure (d).
2. Video connection: connect one end of the 100ft VP cable to the camera's BNC video input of the camera and the other end to an open BNC port of a DVR or monitor. Attach a **BNC-to-RCA** converter (converter not included) to the end of the BNC cable if the camera is connected to a TV that is not equipped with BNC connections, and plug the RCA connection into the TV's video IN port.

**NOTE:** If connected to a TV/monitor change the TV/monitor auxiliary to the right video input mode, ie. VIDEO1, VIDEO2, INPUT1, INPUT2, LINE1, LINE2, etc.

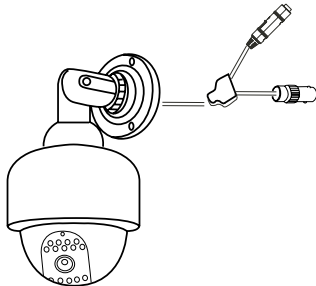


3. Adjust brightness, contrast, hue, saturation, and color of the TV/monitor to perfection.



## Night Vision

The built-in infrared LEDs provide up to 35ft of night vision for 24-hour surveillance. The IR LEDs are automatically activated when the amount of light is not adequate to capture a good image. While in night vision mode the picture will become black and white or monochrome.



Up to 35ft of night vision

Infrared LEDs

## Specifications

<b>Image sensor</b>	1/4" CMOS Color
<b>Horizontal resolution</b>	400 TV Lines
<b>Effective pixels</b>	500(H)*480(V) NTSC
<b>Weather-proof</b>	IP45
<b>Backlight</b>	Yes
<b>Focal length</b>	6mm
<b>Viewing angle</b>	35 Degree
<b>Number of IR LEDs</b>	18 LEDs
<b>IR range</b>	Up to 35ft
<b>Min. illumination</b>	0.5lux (IR off), 0lux (IR on)
<b>Video output</b>	1.0Vp-p/75 Ω (composite)
<b>Microphone</b>	No
<b>Signal/Noise ratio</b>	>48dB
<b>Operating temperature</b>	-10°C - 50°C /14°F - 122°F
<b>Operating humidity</b>	98%, RH≤95
<b>Power consumption</b>	300mA
<b>Power supply</b>	DC 12V/500mA (positive inside)
<b>Dimensions (D x L)</b>	Camera: 5" x 6.25" Camera and bracket: 5" x 10.5"
<b>Weight (G.W)</b>	4.6lb

[www.securitymaninc.com](http://www.securitymaninc.com)